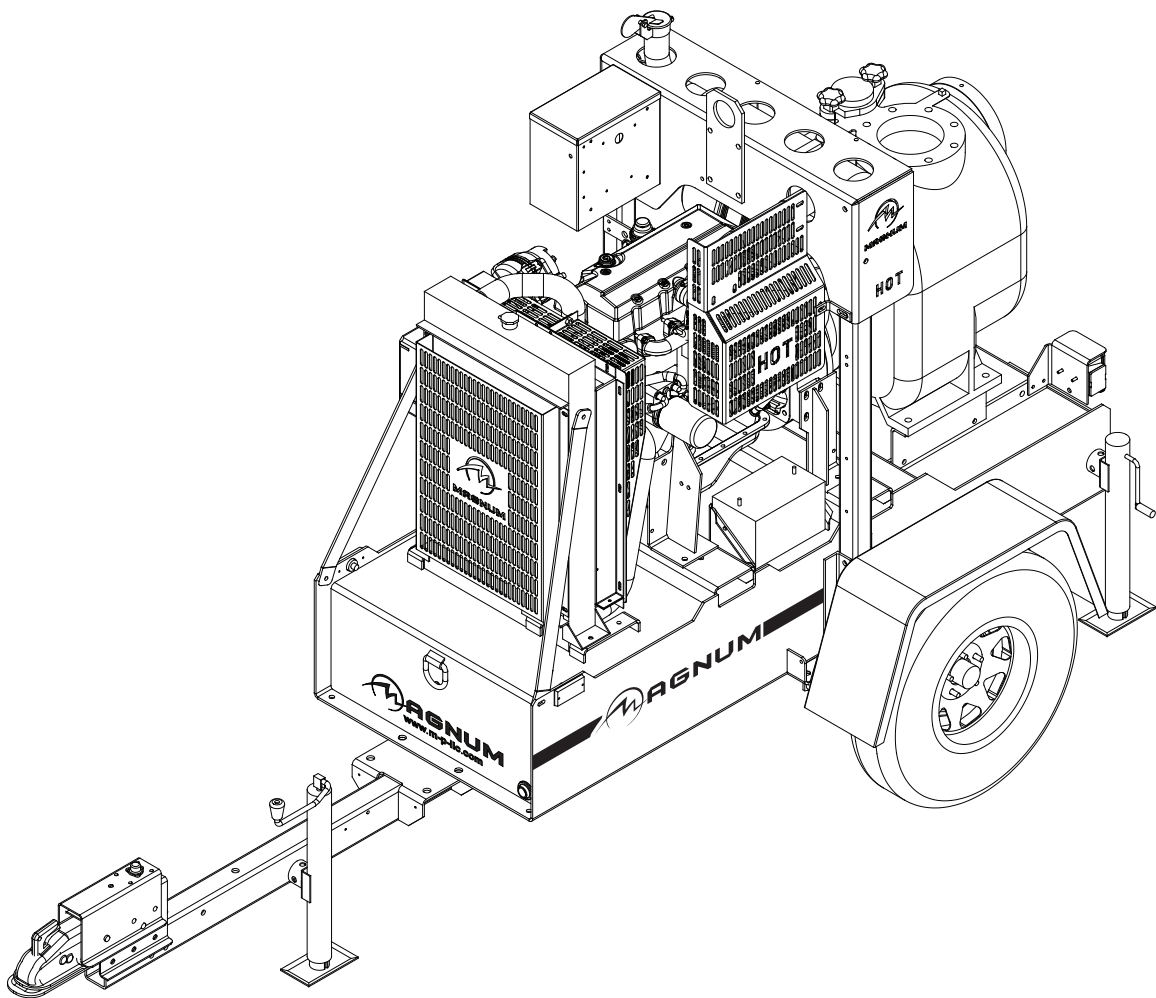




SELF-PRIME DIESEL TRASH PUMP MTP4000S



OPERATING MANUAL

Parts manuals available online! www.m-p-llc.com

INTRODUCTION

This manual provides information and procedures to safely operate and maintain the engine and pump. For your own safety and protection from physical injury, carefully read, understand, and observe the safety instructions described in this manual. *The information contained in this manual was based on machines in production at the time of publication. MagnumPower Products LLC reserves the right to change any portion of this information without notice.*

DO NOT MODIFY or use this equipment for any application other than which it was designed for.

Magnum Power Products LLC recommends that a trained and licensed professional perform all electrical wiring and testing functions. Any wiring should be in compliance with the United States National Electric Code (NEC), state and local codes and Occupational Safety and Health Association (OSHA) guidelines.

Keep a copy of this manual with the unit at all times. Additional copies are available from Magnum Power Products LLC, or can be found at www.m-p-llc.com. An engine operator's manual is supplied with the unit at the time of shipment from the factory. The manual provides detailed operation and maintenance procedures for the engine. Additional copies of the engine operator's manual are available from the engine manufacturer.

MAGNUM POWER PRODUCTS LLC

215 Power Drive • Berlin, WI 54923

U.S.A.

Phone: 920-361-4442

FAX: 920-361-4416

Toll Free: 1-800-926-9768

www.m-p-llc.com

For technical or parts **QUESTIONS**, please contact the Magnum Power Products LLC Customer Support or Technical Support teams at 1-800-926-9768. Please have your serial number available.

Visit www.m-p-llc.com to download or print the current parts manual(s) for all your Magnum Power Products LLC equipment and for online parts ordering options. Parts manuals can also be purchased by calling your local Magnum Power Products LLC distributor.

To **ORDER SERVICE PARTS**, please contact the dealer from which you purchased the unit, or call Magnum Power Products LLC to locate a dealer in your area.

Engine Make: _____

Engine Serial Number: _____

Engine Model Number: _____

Pump Make: _____

Pump Model Number: _____

Pump Serial Number: _____

Unit Model Number: _____

Unit Serial Number: _____

▲ WARNING

CALIFORNIA PROPOSITION 65 WARNING: Diesel engine exhaust and some of its constituents are known to the state of California to cause cancer, birth defects and other reproductive harm.

TABLE OF CONTENTS

	Page
INTRODUCTION	2
SAFETY NOTES	4
OPERATING SAFETY	4
ENGINE SAFETY	5
PUMP SAFETY	5
SERVICE SAFETY	6
TOWING SAFETY	6
REPORTING TRAILER SAFETY DEFECTS	7
UNIT SERIAL NUMBER LOCATIONS	7
SAFETY SYMBOL SUMMARY	8
SPECIFICATIONS.....	9
LOCATIONS AND CONTROLS	10
MAIN CONTROL PANEL	12
CONTROL PANEL LEDS.....	13
PUMP PRE-USE CHECKPOINTS	13
CONTROL PANEL LEDS.....	13
ENGINE BREAK-IN REQUIREMENTS.....	14
PUMP SET UP	14
STARTING THE PUMP	16
SUCTION SPECIFICATIONS	18
LIQUID TEMPERATURE AND OVERHEATING.....	18
PUMP VACUUM CHECK.....	18
BEARING TEMPERATURE CHECK.....	18
STOPPING THE PUMP	19
AUTOMATIC SHUTDOWN	19
REMOTE/AUTO STARTING OPTION	19
TOWING THE TRAILER	19
TRAILER WHEEL BEARINGS	20
LIFTING THE PUMP	20
BASIC MAINTENANCE SCHEDULE (JOHN DEERE ENGINE).....	20
DAILY WALK AROUND INSPECTION	22
BELT TENSION.....	22
SERVICING THE UNIT	22
PUMP DISASSEMBLY	23
REASSEMBLY OF PUMP COMPONENTS	26
PUMP LUBRICATION	28
STORAGE	28
PRODUCT FLUSH OPTION	29
PUMP TROUBLESHOOTING	30
ENGINE FAULT SHUTDOWN TROUBLESHOOTING	31
DC WIRING DIAGRAM	32
TRAILER LIGHTS WIRING DIAGRAM	33
SERVICE LOG	34
NOTES	35

SAFETY NOTES



This is the safety alert symbol. It is used to alert you to potential personal injury hazards. Obey all safety messages that follow this symbol to avoid possible injury or death. This manual contains DANGERS, WARNINGS, CAUTIONS, NOTICES and NOTES which must be followed to prevent the possibility of improper service, damage to the equipment, personal injury or death. The following formatting options will apply when calling the readers attention to the DANGERS, WARNINGS, CAUTIONS, NOTICES and NOTES.

▲ DANGER

INDICATES A HAZARDOUS SITUATION WHICH, IF NOT AVOIDED, WILL RESULT IN DEATH OR SERIOUS INJURY.

▲ WARNING

Indicates a hazardous situation which, if not avoided, could result in death or serious injury.

▲ CAUTION

Indicates a hazardous situation which, if not avoided, could result in minor or moderate injury.

NOTICE

Indicates a hazardous situation which, if not avoided, could result in property or equipment damage.

Note: Notes contain additional information important to a procedure and will be found within the regular text body of this manual.

OPERATING SAFETY



Before using the pump be sure you read and understand all of the instructions! This equipment was designed for specific applications; DO NOT modify or use this equipment for any application other than which it was designed for. Equipment operated improperly or by untrained personnel can be dangerous! Read the operating instructions and familiarize yourself with the location and proper use of all instruments and controls. Inexperienced operators should receive instruction from someone familiar with the equipment before being allowed to operate or set up the pump. The following points should be practiced at all times:

- The area immediately surrounding the pump should be dry, clean, and free of debris.
- Position and operate pump on a firm, level surface.
- **NEVER** start a unit in need of repair.
- **NEVER** modify the pump or use it in a manner other than for what it was designed.
- Do not start the pump if any panels or guards are loose or missing.
- Move the engine start switch to the "OFF" position when servicing or troubleshooting.
- Use hearing protection if you will be near an operating pump for an extended period of time.
- Keep clear of pump suction and discharge openings while pump engine is running.
- Keep all body parts, loose clothing and any other obstructions away from moving parts.
- **NEVER** operate a unit while tired, distracted, or under the influence of drugs or alcohol.

ENGINE SAFETY



Internal combustion engines present special hazards during operation and fueling! Failure to follow the safety guidelines described below could result in severe injury or death. Also read and follow all safety warnings described in the engine operator's manual. A copy of this manual was supplied with the unit when it was shipped from the factory.

- **DO NOT** run engine indoors or in an area with poor ventilation unless exhaust hoses are used. Diesel engine exhaust contains carbon monoxide, a deadly, odorless and colorless gas which, if inhaled, can cause nausea, fainting or death. Make sure engine exhaust cannot seep into closed rooms or ventilation equipment.
- **DO NOT** fill fuel tank near an open flame, while smoking, or while engine is running. **DO NOT** fill tank in an enclosed area with poor ventilation.
- **DO NOT** operate with the fuel tank cap loose or missing.
- **DO NOT** operate on a combustible surface.
- **DO NOT** touch or lean against hot exhaust pipes or engine block.
- **DO NOT** clean air filter with gasoline or other types of low flash point solvents.
- **DO NOT** remove engine coolant cap while engine is hot.
- **DO NOT** operate the unit without a functional exhaust system. Prolonged exposure to sound levels in excess of 85 dB(A) can cause permanent hearing loss. Wear hearing protection when working around a running engine.
- Keep hands, feet and loose clothing away from moving parts on the pump and engine.
- Keep area around exhaust pipes and radiator free of debris to reduce the chance of an accidental fire.
- Batteries contain sulfuric acid which can cause severe injury or death. Sulfuric acid can cause eye damage, burn flesh or eat holes in clothing. Protective eye wear and clothing are necessary when working on or around the battery. Always disconnect the NEGATIVE (-) battery cable from the corresponding terminal before performing any service on the engine or other components.
- Shut down the engine if any of the following conditions exist during operation:
 1. Noticeable change in engine speed.
 2. Loss of pumping output.
 3. Sparking occurs.
 4. Engine misfires or there is excessive engine vibration.

PUMP SAFETY



Centrifugal pumps are designed for specific applications and may not be suited for other uses without loss of performance or potential damage to equipment/personnel. If there is any doubt about suitability for a specific purpose, contact Magnum Power Products LLC for assistance. Follow the safety guidelines described below to prevent hazardous situations which could result in severe injury or death.

- This pump is designed to handle mild industrial corrosives, residues, and slurries containing large entrained solids. Do not attempt to pump volatile, corrosive, or flammable materials that may damage the pump or endanger personnel as a result of pump failure.
- After the pump has been positioned, make certain that the pump and all hose/piping connections are tight, properly supported and secure before operation.
- Do not operate the pump without the guards in place over the rotating parts. Exposed rotating parts can catch clothing, fingers, or tools, causing severe injury to personnel.
- Do not remove plates, covers, gauges, pipe plugs, or fittings from an overheated pump. Vapor pressure within the pump can cause parts being disengaged to be ejected with great force. Allow the pump to cool before servicing.

- Do not operate the pump against a closed discharge valve for long periods of time. If operated against a closed discharge valve, pump components will deteriorate, and the liquid could come to a boil, build pressure, and cause the pump casing to rupture or explode.
- Remove suction and discharge hoses/piping from pump prior to moving. Use lifting and moving equipment with adequate capacity and in good repair.
- Never exceed the maximum permissible operating pressure of the pump as shown on the pump performance curve.
- If equipment is stored more than 12 months, some of the components or lubricants may have exceeded their maximum shelf life. These must be inspected and replaced as necessary prior to pump operation to ensure proper pump performance.

SERVICE SAFETY



All service work must be performed by qualified personnel who are familiar with the equipment. Only a qualified electrician should troubleshoot or repair electrical problems occurring in this equipment. Follow the safety guidelines described below to prevent hazardous situations which could result in severe injury or death.

- Before servicing the trash pump, make sure the engine start switch is turned to OFF and the negative terminal on the battery is disconnected. **NEVER** perform even routine service (oil/filter changes, cleaning, etc.) unless all electrical components are shut down.
- **NEVER** service electrical components if clothing or skin is wet. If the unit is stored outside, check the engine for any moisture and dry the unit before use.
- **NEVER** open the radiator cap or oil drain plug while the engine is running or before the engine has cooled down. Pressurized coolant and hot engine oil can cause severe burns. Allow the engine to cool completely before attempting any service work.
- Check the temperature before opening any pump covers, plates or plugs. Allow the pump to cool if overheated!
- Before servicing the pump end, close the suction and discharge valves. Vent the pump slowly and cautiously. Drain the pump completely.
- **NEVER** attempt to modify the engine, pump or related components.
- **NEVER** wash the unit with a power washer or high pressure hose.
- Replace all guards and safety devices immediately after servicing.
- Replace all missing and hard-to-read labels. Labels provide important operating instructions and warn of dangers and hazards.
- Make sure slings, chains, hooks, ramps, jacks, and other types of lifting devices are attached securely and have enough weight-bearing capacity to lift or hold the equipment safely. Always remain aware of the position of other people around you when lifting the equipment.

TOWING SAFETY



Towing a trailer requires care! Both the trailer and vehicle must be in good condition and securely fastened to each other to reduce the possibility of an accident. Also, some states require that large trailers be registered and licensed. Contact your local Department of Transportation office to check on license requirements for your particular unit.

- Check that the hitch and coupling on the towing vehicle are rated equal to, or greater than, the trailer's Gross Vehicle Weight Rating (GVWR).
- Check tires on trailer for tread wear, inflation, and condition.
- **NEVER** tow the trailer using defective parts! Inspect the hitch and coupling for wear or damage.
- Make sure the trailer hitch and the coupling are compatible. Make sure the coupling is securely fastened to the vehicle.

- Connect safety chains in a crossing pattern under the tongue and **ATTACH THE BREAKAWAY CABLE TO THE REAR BUMPER OF THE TOWING VEHICLE**. Do not attach the cable to the trailer hitch.
- Make sure directional and brake lights on the trailer are connected and working properly.
- Check that all lug nuts holding wheels on are tight and that none are missing.
- Maximum recommended speed for highway towing is 45 mph (72 km/h). Recommended off-road towing speed is not to exceed 10 mph (16 km/h) or less, depending on terrain.

The trailer is equipped with hydraulic surge brakes or electric surge brakes. Check the operation of the brakes by braking the vehicle at a slow speed before entering traffic. Both the trailer and the vehicle should brake smoothly. If the trailer seems to be pushing, check the level in the surge brake fluid reservoir.

When towing, maintain extra space between vehicles and avoid soft shoulders, curbs and sudden lane changes. If you have not pulled a trailer before, practice turning, stopping, and backing up in an area away from heavy traffic.

A film of grease on the coupler will extend coupler life and eliminate squeaking. Wipe the coupler clean and apply fresh grease each time the trailer is towed.

REPORTING TRAILER SAFETY DEFECTS

If you believe your trailer has a defect which could cause a crash or could cause injury or death, you should immediately inform the National Highway Traffic Safety Administration (NHTSA) in addition to notifying Magnum Power Products LLC.

If NHTSA receives similar complaints, it may open an investigation; and if it finds that a safety defect exists in a group of vehicles, it may order a recall and remedy campaign. However, NHTSA cannot become involved in an individual problem between you, your dealer, or Magnum Power Products LLC.

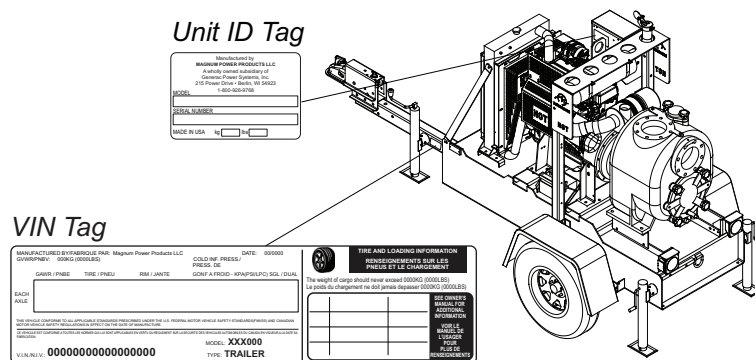
To contact NHTSA, you may either call the Auto Safety Hotline toll-free at 1-888-327-4236 (TTY:1-800-424-9153), go to <http://www.safercar.gov>; or write to:

Administrator
NHTSA
1200 New Jersey Avenue S.E.
Washington, DC 20590

You can also obtain other information about motor vehicle safety from <http://www.safercar.gov>.

UNIT SERIAL NUMBER LOCATIONS

Refer to the locations illustrated to find the unit ID tag and VIN tag on your unit. Important information, such as the unit serial number, model number and Vehicle Identification Number (VIN) for your trailer are found on these tags. Record the information from these tags, so it is available if the tags are lost or damaged. When ordering parts or requesting technical service information, you may be asked to provide this information.



SAFETY SYMBOL SUMMARY

This equipment has been supplied with numerous safety and operating decals. These decals provide important operating instructions and warn of dangers and hazards. Replace any missing or hard-to-read decals and use care when washing or cleaning the unit. Decal placement and part numbers can be found in the parts manual. Below is a summary of the intended meanings for the symbols used on the decals.

 <p>Safety alert symbol; used to alert you to potential personal injury hazards.</p>	 <p>Asphyxiation hazard; operate in well ventilated area.</p>
 <p>Hot surface(s) nearby.</p>	 <p>Hazardous voltage. Disconnect battery before servicing.</p>
 <p>Belt/entanglement hazard; keep body parts clear of this area.</p>	 <p>Anchor/tie down point.</p>
 <p>Rotating fan hazard; do not operate without guards in place. Keep body parts clear of this area.</p>	 <p>Burn/scald hazard; pressurized steam.</p>
 <p>Rotating impeller blade hazard; keep body parts clear of this area.</p>	 <p>Use clean diesel fuel only.</p>
 <p>Moving parts can crush and cut; keep body parts clear of this area.</p>	 <p>Remove negative battery cable before performing any service on unit.</p>
 <p>Stop engine before fueling.</p>	 <p>Read and understand the supplied operating manual before operating unit.</p>
 <p>Hearing protection required while operating unit.</p>	 <p>Lift here only.</p>
 <p>Fire/explosion hazard; keep open flames away from unit.</p>	

SPECIFICATIONS

Read this manual carefully before attempting to use this equipment. The potential for property damage, personal injury or death exists if this equipment is misused or installed incorrectly. Read all of the manuals included with this unit. Each manual details specific information regarding items such as set up, use and service requirements. *SPECIFICATIONS ARE SUBJECT TO CHANGE WITHOUT NOTICE.*

MAGNUM MODEL

MTP4000S

Engine:

Make/Brand, Model	John Deere, PE4024TF281
Type	Diesel, liquid cooled, 4-stroke
Displacement in³ (L)	149 (2.4)
Cylinders - qty	4
Eng Rated Speed rpm	2800
Eng Pwr @ Rated Speed - Int. hp (kW)	49.0 (36.0)
Eng Pwr @ Rated Speed - Cont. hp (kW)	41.0 (30.8)
Eng Operating Speed rpm	2200
Eng Pwr @ Oper. Speed - Int. hp (kW)	46.0 (34.1)
Eng Pwr @ Oper. Speed - Cont. hp (kW)	39.0 (29.0)
Fuel Consumption - 100% load gph (Lph)	2.0 (7.6)
Battery Type - Group Number	24
Battery Voltage (Quantity per Unit)	12V (1)
Battery Rating	720 CCA

Pump:

Make/Brand	Pioneer Pump Inc.
Model	ES4
Fitting Size	4" NPTF
Impeller Material	ASTM A536 Ductile Iron
Impeller Diameter in (mm)	9.75 (248)
Shaft Material	17-4 PH Stainless Steel
Volute Material	ASTM A536 Ductile Iron
Wear Plate Material	ASTM A48 Ductile Iron

Pump Set (Engine/Pump):

Maximum Diameter of Solids in (mm)	3.0 (76.2)
Maximum Pump Output gpm (Lpm)	1150 (4353)
Maximum Lift Suction ft (m)	25 (8)
Maximum Operating Speed rpm	2000
Total Dynamic Head ft (m)	140 (42)
Sound dB(a) 23 ft. @ prime	79

Dimensions:

Skid Mounted in (m)	82 x 35 x 60 (2.08 x .089 x 1.52)
Trailer Mounted in (m)	138 x 57 x 78 (3.51 x 1.45 x 1.98)

Weights:

Dry Weight, Skid Mounted	2407 (1091)
Operating Weight, Skid Mounted	3199 (1451)
Dry Weight, Trailer Mounted	2957 (1341)
Operating Weight, Trailer Mounted	3749 (1701)

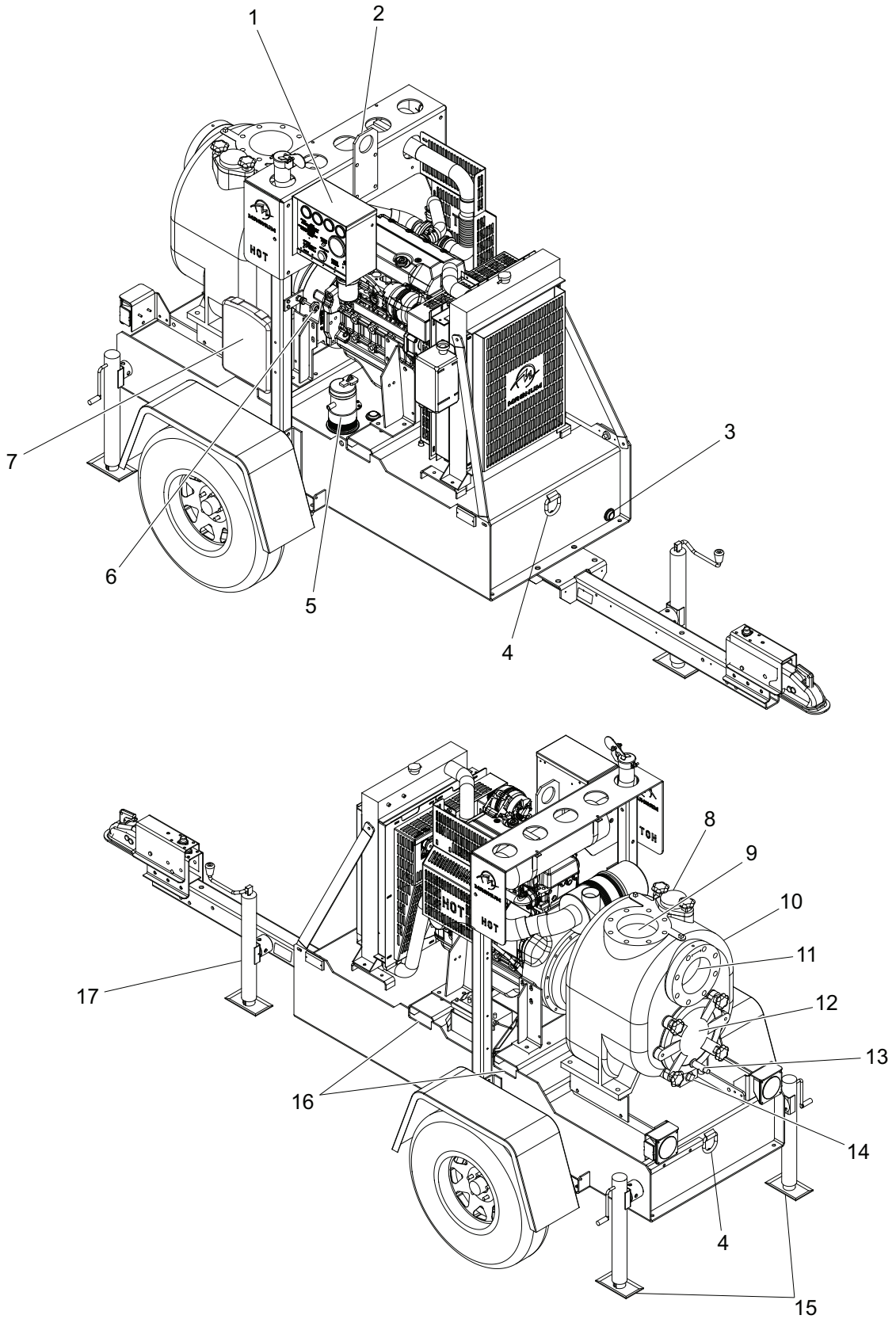
Capacities:

Fuel Tank Volume gal (L)	110 (416)
Usable Fuel Volume gal (L)	95 (360)
Coolant (incl. engine) qt (L)	11.0 (10.4)
Oil (incl. filter) qt (L)	8.5 (8.0)
Maximum Run Time hrs	48

Trailer:

Number of Axles	1
Capacity - Axle Rating lbs (kg)	5000 (2268)
Tire Size in	15
Brakes	Surge
Hitch - Standard	2" Ball
Maximum Tire Pressure psi	65

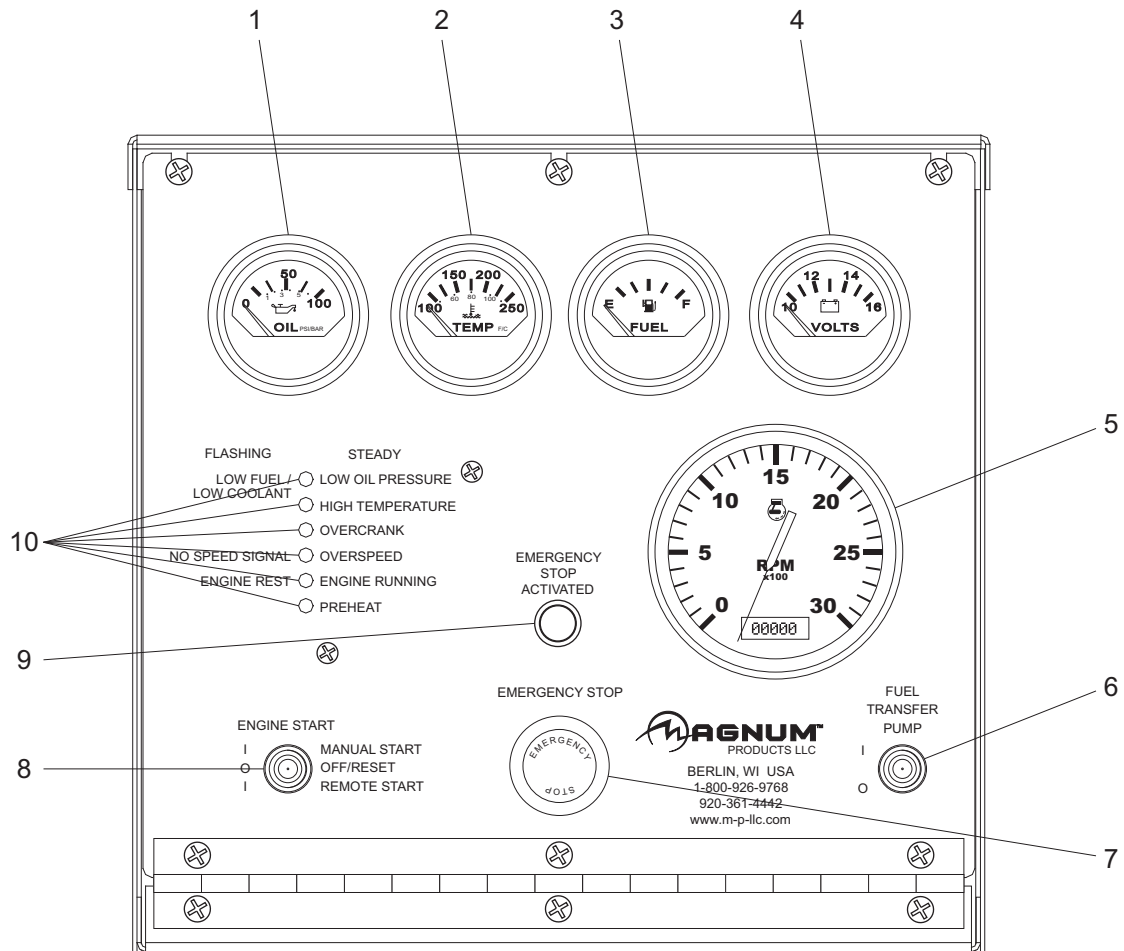
LOCATIONS AND CONTROLS



1. **CONTROL PANEL.** Controls and indicators for pump operation.
2. **CENTRAL LIFT EYE.** Used for lifting the pump.
3. **FUEL TANK DRAIN.** Drain for fuel tank for cleaning and/or maintenance.
4. **TIE-DOWN RINGS.** Used to secure the pump for storage and/or transport.
5. **FUEL FILL PORT.** Lockable port for filling the diesel fuel tank.
6. **HAND THROTTLE.** Controls pump engine speed.
7. **MANUAL HOLDER.** Storage for operator manuals.
8. **PRIMING PORT.** Used to fill the pump volute with water.
9. **PUMP OUTLET (DISCHARGE) PORT.** Opening for discharge of liquids from the pump. Fittings can be threaded or bolted to the pump flange.
10. **PUMP VOLUTE (HOUSING).** Cast-iron housing for the pump mechanical components.
11. **PUMP INLET (SUCTION) PORT.** Opening for intake of liquids into the pump. Fittings can be threaded or bolted to the pump flange.
12. **PUMP CLEANOUT COVER.** Provides access to pump internals for cleaning and/or maintenance.
13. **PRESSURE RELIEF VALVE.** Safety device that will allow excess pressure to vent safely from the pump volute.
14. **DRAIN PLUG.** Allows for complete draining of the pump volute for storage and/or maintenance.
15. **REAR LEVELING JACKS.** Used to level the rear of the pump on rough or uneven ground.
16. **FORK LIFT POCKETS.** Used to move the pump when in skid configuration.
17. **FRONT LEVELING JACK.** Used to level the pump on rough or uneven ground and to aid in attaching the pump to a tow vehicle.

Note: Use hoses and fittings that are specifically designed and sized for this type of equipment.

MAIN CONTROL PANEL



1. **ENGINE OIL PRESSURE GAUGE.** Displays engine oil pressure. Typical range is 30-80 psi (1.43-3.83 kPa).
2. **ENGINE COOLANT TEMPERATURE GAUGE.** Displays engine coolant temperature. Typical range is 180-210°F (82-99°C).
3. **FUEL LEVEL GAUGE.** Displays the amount of fuel remaining in the fuel tank.
4. **DC VOLTAGE GAUGE.** Displays DC voltage of the engine starting battery. Typical range is 12-14 volts.
5. **ENGINE TACHOMETER/HOUR METER.** Displays engine speed in Revolutions Per Minute (RPM) and keeps track of engine hours for service.
6. **FUEL TRANSFER PUMP SWITCH.** Switch for optional fuel transfer pump for extended pump operation.
7. **EMERGENCY STOP SWITCH.** Stops engine in case of emergency by cutting power to the fuel solenoid. Activate by pushing the red button in until it locks down. Only use when the pump must be shut down immediately. For any other shut down, follow the procedure *“STOPPING THE PUMP” on page 19.*
8. **ENGINE START SWITCH.** Used to start and stop the pump engine or to allow for remote starting of the pump by a dry-contact closure type switch.
9. **EMERGENCY STOP ACTIVATED LIGHT.** Notifies operator that the emergency stop is activated.
10. **CONTROL PANEL LEDs.** Indicates various engine operating parameters and faults. These LEDs either flash or are in a steady state.

CONTROL PANEL LEDS

FLASHING	STEADY
LOW FUEL / LOW COOLANT	● LOW OIL PRESSURE
	● HIGH TEMPERATURE
	● OVERCRANK
NO SPEED SIGNAL	● OVERSPEED
ENGINE REST	● ENGINE RUNNING
	● PREHEAT

FLASHING LEDS

- **LOW FUEL/LOW COOLANT:** Indicates a low fuel level or low coolant level shut down (optional).
- **NO SPEED SIGNAL:** Indicates a pump engine shut down due to a loss of signal from the engine's magnetic pickup. Refer to [“PUMP TROUBLESHOOTING” on page 30](#) for possible causes.
- **ENGINE REST:** Indicates the engine has paused between starting attempts.

STEADY STATE LEDS

- **LOW OIL PRESSURE:** Indicates a pump engine shut down due to low engine oil pressure. Refer to [“PUMP TROUBLESHOOTING” on page 30](#) for possible causes.
- **HIGH TEMPERATURE:** Indicates a pump engine shut down due to the coolant temperature exceeding 235° F (113°C). Refer to [“PUMP TROUBLESHOOTING” on page 30](#) for possible causes.
- **OVERCRANK:** Indicates the pump engine failed to start after three attempts. Refer to [“PUMP TROUBLESHOOTING” on page 30](#) for possible causes.
- **OVERSPEED:** Indicates shut down due to the pump engine running too fast. Refer to [“PUMP TROUBLESHOOTING” on page 30](#) for possible causes.
- **ENGINE RUNNING:** Indicates proper operation of the pump engine.
- **PREHEAT:** Indicates operation of the engine's glow plugs during the engine starting procedure.

PUMP PRE-USE CHECKPOINTS

Before using the pump, be sure to check the following:

- Place the pump as close as possible to the liquid being pumped, keeping the number of hose sections and couplings to a minimum.
- Make sure the ground is firm and as level as possible. Block the wheels on the trailer to keep it from moving.
- Check the pump discharge area; make sure discharge will not erode the material under the pump or damage any nearby structures.
- Make sure all hose couplings are of the same size and type.
- All hoses/piping should be supported, braced and lined up square before connection to the pump flanges. A flexible fitting is recommended on both suction and discharge to eliminate misalignment loads or stresses being transmitted to the pump.

Note: Flexible pipe couplings must be restrained so as not to transmit any strain to the pump flanges when expanding or contracting under pressure. Unrestrained expansion fittings can transmit enormous forces to the pump flanges.

⚠ WARNING

The pump is designed to handle water and/or other liquids containing some slurries and other entrained solids up to a certain diameter (see “[SPECIFICATIONS](#)” on [page 9](#) for the correct diameter). It **MUST NOT** be used to pump volatile, corrosive or flammable materials that can damage the pump, cause pump failure, or result in explosion. Serious personal injury could result!

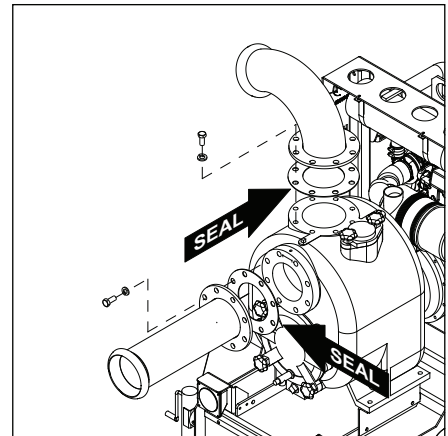
ENGINE BREAK-IN REQUIREMENTS

Note: During the first 20 hours of operation, avoid long periods of low engine speed or sustained maximum engine speed.

John Deere engines are supplied with engine break-in oil from the factory. Extra care during the first 100 hours of engine operation will result in better performance and longer engine life. DO NOT exceed 100 hours of operation with the break-in oil. Operate the engine at high engine speeds (60-90% of maximum) as much as possible. If the engine has spent significant time at idle, constant speed(s) and/or light load, or if makeup oil is required, a longer break-in period may be needed. Consult the engine operation and maintenance manual for a full description of necessary procedures on the addition of break-in oil and extension of the break-in period. Use the schedule table on [page 20](#) as a guide for regular maintenance intervals.

PUMP SET UP

1. Disconnect the pump from the tow vehicle by turning the tongue jack clockwise to raise the tongue from the hitch. Disconnect all safety chains, surge brake cables and the trailer wiring harness. Chock the wheels to prevent the unit from rolling.
2. Lower the rear leveling jacks from the travel position. Turn the jack handles clockwise until the leveling feet are in firm contact with the ground. Adjust the jacks until the pump is as level as possible.
3. Attach fittings to both the intake and outlet openings of the pump, making sure they match the fittings on the hoses. Make sure a gasket/seal is in place between the pump volute and the flange on the fitting being attached. Tighten all hardware completely to ensure an airtight seal. Threaded fittings require the use of pipe thread sealant.
4. Attach a rigid hose to the intake (suction) side of the pump. For best performance, the suction hose/piping should be at least as large as the pump flange, never smaller. The pump should be at the highest point of the hose/piping. All suction piping and fittings should be checked for any foreign material (rocks, bolts, wire, etc.) and also any sharp burrs that could disrupt the flow. Make sure the O-ring seal is present in the fitting on the pump before attaching the fitting. **Note:** Lubricate the O-ring seal with grease to ensure an airtight seal.



⚠ CAUTION

The suction and discharge pipe/hose material should be compatible with the liquid being pumped. If a hose is used on the suction line, it should be of the reinforced type to prevent collapse under suction lift.

⚠ DANGER

IF A MANUAL SHUTOFF VALVE IS INSTALLED IN THE DISCHARGE LINE, IT MUST NOT BE LEFT CLOSED DURING OPERATION. A CLOSED MANUAL SHUTOFF VALVE WILL CAUSE OVERHEATING AND POSSIBLE EXPLOSIVE RUPTURE OF THE PUMP CASING. PERSONNEL COULD BE SERIOUSLY INJURED!

5. Attach a rigid intake screen or strainer to the end of the suction hose before placing it in the liquid. This will prevent large items or excessive trash from entering the pump housing. The screen must have enough openings to equal four times the area of the intake hose (6 in. x 3.14 = 18.84 sq.in. x 4 = 75.36 sq.in. [15 cm x 3.14 = 47

sq.cm x 4 = 188 sq.cm]). The screen should be rigid enough to prevent collapse when flow is reduced due to clogging.

- Place the intake hose into the liquid to be pumped. The submergence of the suction pipe into the liquid should be at least four to five times the pipe diameter. If this is not possible, provide a baffle or a floating board. This is to prevent any vortex action allowing air into the pipe/hose. For best performance, a bell mouth fitting is recommended. Recommended pipe submergences for various flows as well as recommended bell diameters are shown in the table below. The table data is referenced from ANSI/HI 9.8-1998.

FLOW (GPM)	500	1000	1500	2000	2500	3000	3500	4000	4500
SUMMERGENCE WITH BELL (FT)									
Bell Diameter (in)	6.1	8.6	10.6	12.2	13.6	14.9	16.1	17.2	18.3
Submergence (ft)	2.1	2.6	3.0	3.3	3.5	3.7	3.9	4.1	4.3
SUBMERGENCE WITHOUT BELL (FT)									
PIPE ID (in) - No Bell	SUBMERGENCE WITHOUT BELL (FT)								
3	4.7								
4	3.3	6.3							
6	2.1	3.7	5.3						
8	1.7	2.8	3.8	4.9	6.0				
10	1.6	2.3	3.1	3.8	4.6	5.4	6.1	6.9	7.6

- Attach a flexible hose to the outlet (discharge) side of the pump. Make sure the O-ring seal is present in the fitting on the pump before attaching the fitting. **Note:** Lubricate the O-ring seal with grease to ensure an airtight seal. Use a concentric taper on the discharge side to increase discharge pipe/hose diameters. All valving and additional fittings should be the same size as the discharge main-line. The discharge size should be adequate to maintain reasonable velocities and reduce friction losses. It is strongly recommended that a pressure relief valve is installed on the discharge piping.
- Check the intake and outlet hoses for any sharp bends or kinks that may restrict pump flow before proceeding. The intake hose should slope upwards toward the pump to avoid development of air pockets in the hose, which may lead to pump cavitation. Keep the hoses as straight as possible.
- The pump is self-priming, but should never be operated unless there is liquid in the pump casing. The pump casing needs to be half filled with liquid in order to prime. Remove the cover from the top of the pump volute and fill the pump casing with water. **Note:** The casing will only fill to the bottom of the intake fitting, not to the top of the volute. Replace the cover and tighten the clamp screws hand tight.

⚠ CAUTION

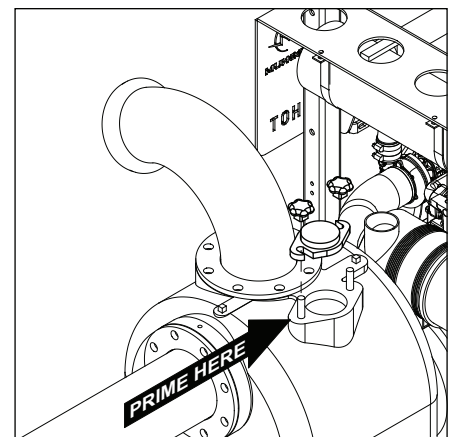
The pump will not prime when dry. Extended operation of a dry pump will destroy the seal assembly. Make sure pump casing is half filled with liquid when priming.

⚠ WARNING

Never open the priming cover on a pump that is hot or that has been operated recently. Extreme pressure may have built up inside the pump volute. Opening the priming cover could cause serious injury!

⚠ WARNING

Do not attempt to operate the pump unless all connecting piping, fill plug and other fittings are securely installed. Failure to do so could cause liquid pumped to be forced out under pressure, causing injury to personnel.



The pump is now ready for use.

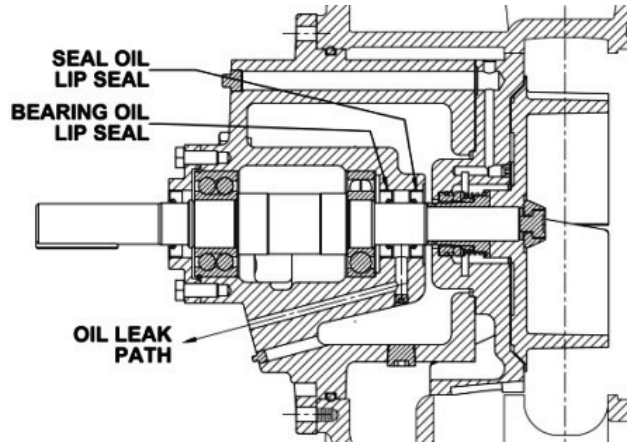
STARTING THE PUMP

Before starting the pump, be sure to check the following:

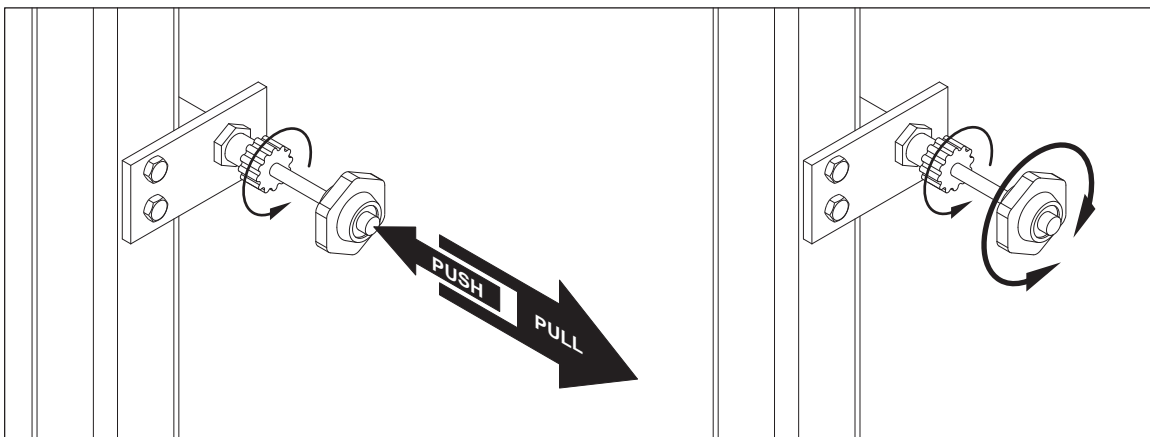
- Make sure all hose couplings, covers and plugs are tight.
- Check the oil level in the sight glasses on the connection between the engine flywheel and pump volute. The oil level should be in the middle of each sight glass.

NOTICE

The bearing oil and mechanical seal oil are each sealed by a shaft lip seal, and a vent to atmosphere exists between these two lip seals to indicate oil leak from either cavity. If either the bearing oil or mechanical seal oil lip seal leaks, oil will leak from the vent. This vent should be checked for leakage prior to pump operation.



- Check the engine oil level, coolant level and fuel level.
 - Make sure the engine starting battery is connected.
1. Make sure the Emergency Stop switch is pulled out (deactivated).
 2. Push the Engine Start Switch up to the MANUAL START position. The PREHEAT LED on the control panel will light up to indicate activation of the engine glow plugs. Once sufficient time has passed, the engine should crank, start, and run, slowly building up speed.
 3. Allow the engine to run until it reaches a constant speed. Once it is running smoothly, the engine speed can be adjusted by the throttle, located above the fuel fill port.



To adjust the engine speed:

- A. Loosen the locking ring on the throttle, located next to the mounting bracket, by turning counterclockwise.
- B. Push and hold the center button on the throttle:

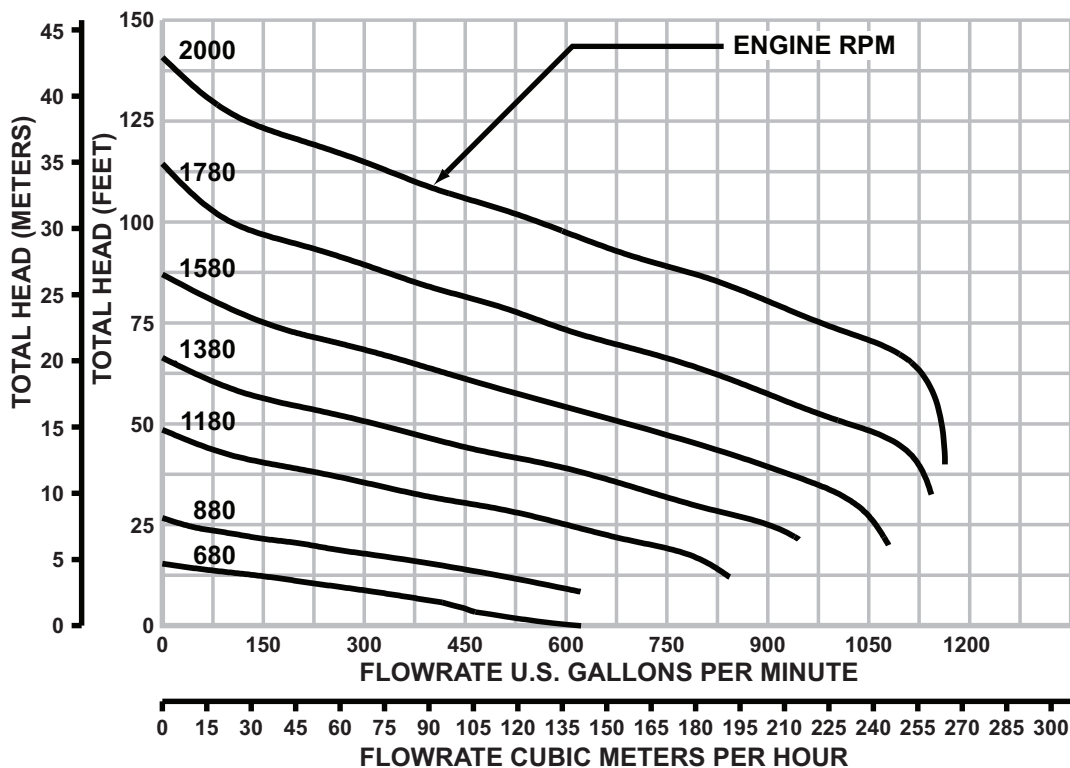
- PULL the throttle out to INCREASE engine speed.
 - PUSH the throttle in to DECREASE engine speed.
- C. Fine engine speed adjustment can be made by turning the throttle clockwise or counterclockwise.
- D. Once the desired engine speed has been attained, lock the throttle by turning the locking ring clockwise.

4. The pump should self prime and begin to discharge liquid within minutes. The pump may not prime immediately because the suction line must first fill with liquid. If the pump fails to prime within five minutes, stop it and check the suction line for leaks.
5. Use the engine throttle to adjust the pump flow. Several factors can influence pump output:
- The temperature, viscosity, and amount of entrapped solids in the liquid being moved.
 - The length, diameter, and number of bends of the intake and outlet hoses.
 - The total suction height (lift) of the pump.
 - The altitude above sea level where the pump is operating.

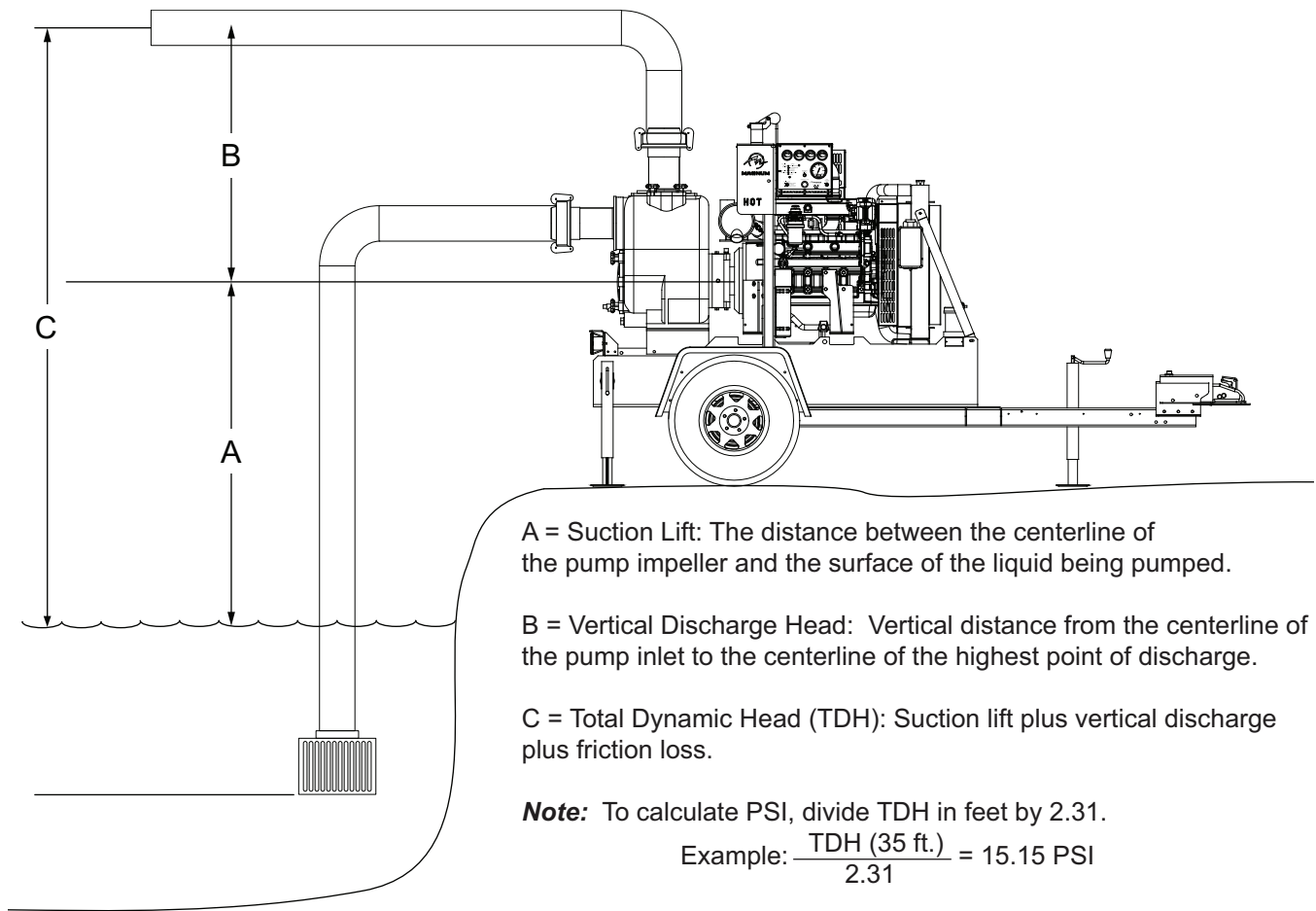
⚠ WARNING

Never adjust the pump flow by attaching a valve to the intake or outlet side of the pump. Restricting the flow in this way can cause the pump to overheat, creating extreme pressure inside the pump volute. Explosion of the pump volute and serious personal injury may result!

6. As the pump operates, avoid running the intake side of the pump dry. Air from the intake side of the pump may cause cavitation, causing damage to the pump impeller. The intake hose must be kept 4-5 times the hose diameter (4-5 x 6 in. = 24-30 in. [4-5 x 15 cm. = 61-76 cm.]) below the surface of the liquid being pumped.
7. Use the following table for approximate flow rates for the 4 inch pump.



SUCTION SPECIFICATIONS



LIQUID TEMPERATURE AND OVERHEATING

The maximum liquid temperature for this pump is 160°F (71°C). Do not apply it at a higher operating temperature.

Overheating can occur if the pump is operated with the valves in the suction and/or discharge lines closed. Operating against closed valves could bring the liquid to a boil, build pressure, and cause the pump to rupture or explode. If overheating occurs, stop the pump and allow it to cool before servicing it. Refill the pump casing with cool liquid. As a safeguard against rupture or explosion due to heat, this pump is equipped with a pressure relief valve that will open if vapor pressure within the pump casing reaches a critical point. If overheating does occur, stop the pump immediately and allow it to cool before servicing it. **Approach any overheated pump cautiously.** It is recommended that the pressure relief valve assembly be replaced at each overhaul, or any time the pump casing overheats and activates the valve.

PUMP VACUUM CHECK

With the pump inoperative, install a vacuum gauge in the system. Make sure the pump is at least half filled with liquid. Block the suction line and start the pump. At operating speed, the pump should pull a vacuum of 20 inches (67728 Pa) of mercury or more. If it does not, check for air leaks at the suction piping gaskets.

BEARING TEMPERATURE CHECK

Bearings normally run at higher than ambient temperatures because of heat generated by friction. Temperatures up to 160°F (71°C) are considered normal for bearings and they can operate safely to at least 180°F (82°C). Measure the bearing temperature with a contact-type thermometer.

STOPPING THE PUMP

1. Reduce the engine speed by adjusting the engine throttle.
2. Allow the engine to idle briefly before switching the engine start switch to the center (OFF) position.

NOTICE

Do not use the emergency stop switch unless absolutely necessary. Stopping the pump suddenly may cause shock waves to be transmitted back to the pump volute, causing pump damage. To activate the emergency stop, push the stop switch in. To deactivate the switch, pull the switch out.

3. The pump is adequately prepared for outside storage. See [“STORAGE” on page 28](#) for additional extended storage suggestions.

NOTICE

If the pump is to remain idle during below freezing conditions, drain the pump to prevent damage from freezing. Also, clean out any solids by flushing with a hose.

AUTOMATIC SHUTDOWN

The pump is equipped with a low oil pressure and a high temperature automatic shutdown system. This system will automatically shut off the fuel supply to stop the engine if oil pressure drops too low or the engine exceeds normal operating temperature. Return the engine start switch to the “OFF” position to reset the controller; restart the pump engine after you have determined the cause of the shutdown. Refer to [“ENGINE FAULT SHUTDOWN TROUBLE-SHOOTING” on page 31](#) for more information.

REMOTE/AUTO STARTING OPTION

The pump can be configured to start automatically by the addition of optional dry-contact closure float level switches. These connection points are found on the control panel next to the emergency stop button. Both float switches must be connected for automatic starting to occur. Contact Magnum Power Products LLC Technical Service Department at 1-800-926-9768 or 1-920-361-4442 for more information.

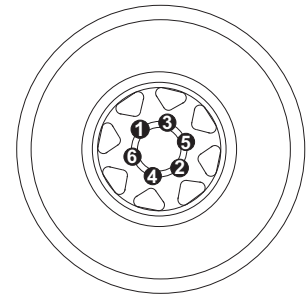
TOWING THE TRAILER

1. Raise the rear leveling jacks. Release the jack locking pins and rotate the jacks into the travel position.
2. Use the tongue jack to raise or lower the trailer onto the hitch of the towing vehicle. Lock the hitch coupling and attach the safety chains or cables to the vehicle. Release the jack locking pin and rotate the jack into the travel position. Make sure the locking pin snaps into place.
3. Connect any trailer wiring to the tow vehicle. Check for proper operation of the stop and signal lights.
4. Check for proper inflation of the trailer tires. See [“SPECIFICATIONS” on page 9](#) for appropriate tire pressure.
5. Check the wheel lugs. Tighten or replace any that are loose or missing. If a tire has been removed for axle service or replacement, tighten the lugs in the order shown to the following specifications:

- A. Start all lug nuts by hand.
- B. First pass tighten to 20-25 ft-lbs (27-33 Nm).
- C. Second pass tighten to 50-60 ft-lbs (67-81 Nm).
- D. Third pass tighten to 90-120 ft-lbs (122-162 Nm).

After the first road use, retorque the lug nuts in sequence.

- 6. Maximum recommended speed for highway towing is 45 mph (72 km/h). Recommended off-road towing speed is not to exceed 10 mph (16 km/h) or less, depending on terrain.



6-Stud Sequence

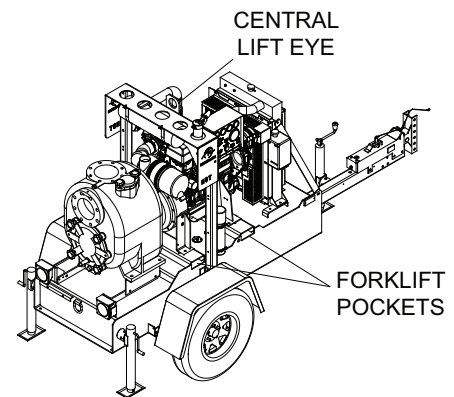
TRAILER WHEEL BEARINGS

The trailer is equipped with a grease zerk fitting to allow lubrication of the wheel bearings without the need to disassemble the axle hub. To lubricate the axle bearings, remove the small rubber plug on the grease cap, attach a standard grease gun fitting to the grease zerk fitting and pump grease into the fitting until new grease is visible around the nozzle of the grease gun. Use only a high quality grease made specifically for lubrication of wheel bearings. Wipe any excess grease from the hub with a clean cloth and replace the rubber plug when finished. The minimum recommended lubrication is every 12 months or 12,000 miles (19,312 km). More frequent lubrication may be required under extremely dusty or damp operating conditions.

LIFTING THE PUMP

Remove suction and discharge piping from pump prior to moving. Make sure the equipment being used to lift the unit is in good condition and has sufficient capacity. **Note:** See *"SPECIFICATIONS" on page 9 for approximate weights*. Always remain aware of the position of other people and objects around you as you move the unit.

A central lift eye is located on the top of the unit. Attach any slings, chains, or hooks directly to the central lift eye. Use the forklift pockets with care. Approach the unit as perpendicular as possible to avoid any damage to the unit. Make sure any obstructions are clear of the forklift tines before lifting.



BASIC MAINTENANCE SCHEDULE (JOHN DEERE ENGINE)

NOTICE

Refer to the original equipment manufacturer's operating manual for a complete list of maintenance requirements. Failure to comply with the procedures as described in the engine operator manual will nullify the warranty, decrease performance, and cause equipment damage or premature equipment failure.

Use the schedule in the following table as a guide for regular maintenance intervals. For additional or replacement copies of the engine operator's manual, contact an authorized dealer in your area.

Maintenance Action	DAILY	250 HRS.	500 HRS./12 Months	2000 HRS./ 24 Months	As Required
Check oil level	◆				
Check coolant level	◆				
Check fuel level	◆				
Check tire pressure	◆				

Maintenance Action	DAILY	250 HRS.	500 HRS./12 Months	2000 HRS./ 24 Months	As Required
Check all electrical connections	◆				
Inspect radiator fins for debris, clean as required	◆				
Check fuel filter	◆				
Check air cleaner dust unloader valve and indicator	◆*				
Perform visual walkaround inspection	◆				
Check mechanical seal oil level (page 28)	◆				
Check flange fitting hardware	◆				
Check condition of wear plate		◆			
Change mechanical seal oil (page 25)		◆			
Check condition of volute seals		◆			
Lubricate pump bearings (page 28)		◆			
Check oil vapor recirculation system/non-return valve		◆			
Replace oil vapor recirculation filter			◆		
Change engine oil and replace oil filter			◆**		
Replace fuel filter element			◆		
Check air intake system			◆		
Check belt tensioner spring tension and belt wear			◆		
Check engine electrical ground connection			◆		
Check engine mounts			◆		
Service battery			◆		
Check cooling system			◆		
Lubricate leveling jack(s)			◆		
Check compressor mounting hardware			◆		
Drain and refill the pump bearing housing				◆	
Test thermostats				◆	
Check flex coupling condition				◆	
Check pump to engine hardware				◆	
Add coolant					◆
Replace air cleaner elements					◆
Replace poly-vee belt					◆
Check fuses					◆
Bleed fuel system					◆

* *Replace primary air cleaner when dust valve restriction indicator gauge shows a vacuum of 25 in. H₂O.*

** *Change the oil and oil filter after the first 100 hours, then every 250 hours.*

DAILY WALK AROUND INSPECTION

Look for conditions that could hinder performance or safety, such as (but not limited to) oil/coolant/fuel leakage, blocked vents, loose/missing hardware and electrical connections.

Visually inspect the engine fan belt for cracks, fraying, stretching and that the belt is properly seated in pulley grooves. Replace the belt according to the manufacturer's recommendations.

Note: *At the 500 hour/12 month service interval, it is recommended that the belt be replaced. While the belt is removed, inspect pulleys and bearings. Rotate and feel for hard turning or unusual sounds. If pulleys or bearings need replacement contact John Deere.*

NOTICE

Failure to perform a daily inspection may result in serious damage to the prime mover.

BELT TENSION

John Deere engines use two types of belt tensioners: manual and automatic. Adjust the belt using the manual tensioner according to the manufacturer's specifications. The automatic tensioner cannot be adjusted or repaired and is designed to maintain proper tension over the belt's life. Units with the automatic belt tensioner must be inspected according to the manufacturer's specifications.

SERVICING THE UNIT

Poorly maintained equipment can become a safety hazard! In order for the equipment to operate safely and properly over a long period of time, periodic maintenance and occasional repairs are necessary. NEVER perform even routine service (oil/filter changes, cleaning, etc.) unless the engine start switch is turned to off "O" and the negative (-) cable on the battery is disconnected. Attach a "DO NOT START" sign to the control panel. This will notify everyone that the unit is being serviced and will reduce the chance of someone inadvertently trying to start the unit. Make sure engine and pump components are adequately cooled before attempting any service or maintenance work.

For detailed engine maintenance procedures, refer to the engine operator's manual which was supplied with the unit when it was shipped from the factory.

▲ WARNING

Before attempting to service the pump, read this manual carefully. Also review all tags and labels/decals provided on the equipment. Operating and maintenance personnel should have a good understanding of all aspects of this pump and the pumping conditions. Failure of operating personnel to be familiar with all aspects of pump operation outlined in this manual could contribute to equipment damage, bodily injury or possible death.

Before servicing:

1. Verify that the engine start switch is turned to off "O" and the negative (-) cable on the battery is disconnected.
2. If the pump or components are hot, allow adequate cooling prior to servicing the unit.
3. Close the suction and discharge valves.
4. Vent the pump slowly and drain completely.

▲ WARNING

If this pump is used to handle any hazardous materials that can cause injury or illness, take precautions by wearing approved protective clothing and use appropriate safety equipment.

⚠ WARNING

Use lifting and moving equipment that is in good condition and that has adequate capacity to prevent personal injury or equipment damage. When lifting the pump end with chains or cables, position them so the load is balanced and so pump damage will not occur. Suction and discharge hoses and piping must be removed from the pump before lifting.

When servicing this pump, use only components provided by Magnum Power Products LLC. Any use of non-authorized parts could result in sub-standard performance, damage to equipment and possible injury to personnel. Use of unauthorized parts will also void the warranty.

Refer to *"PUMP TROUBLESHOOTING" on page 30* to help diagnose operational or performance problems. Only disassemble the pump components required to remedy the problem condition. Select a clean suitable location for any required maintenance, and note that all work must be performed by qualified personnel.

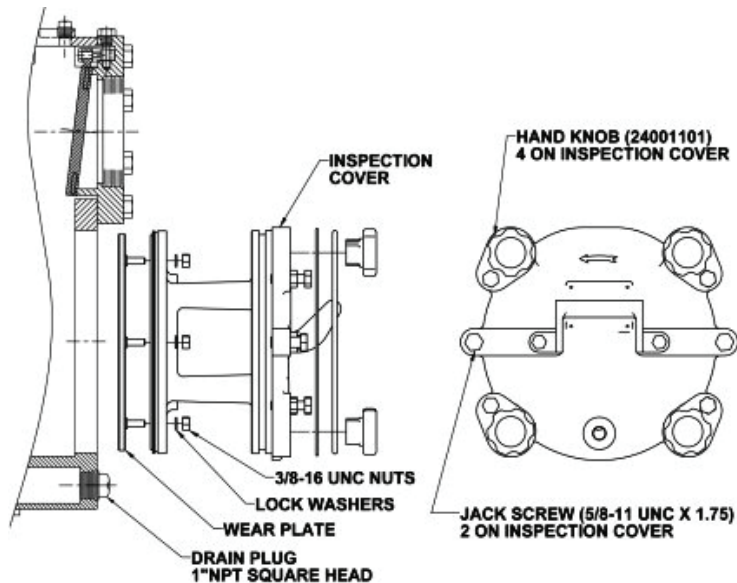
PUMP DISASSEMBLY

Under normal conditions, this pump is designed to run maintenance free, because of its rugged construction, for extended periods of time. However, all centrifugal pumps contain wear parts that will gradually deteriorate, affecting pump performance. This pump does contain wear parts and these parts should be replaced as required to maintain optimum performance.

General maintenance can be performed without removing the pump from the engine. The following instructions assume a complete disassembly of the pump is required.

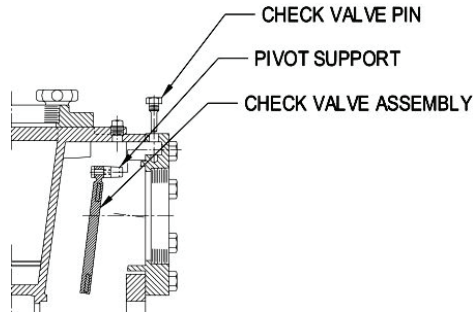
INSPECTION COVER AND WEAR PLATE

Once the pump has been drained, clean the drain plug and reinstall into inspection cover. Remove the four hand lugs and use the two jack screws provided to remove the inspection cover and assembled wear plate. Replace the wear plate if it is badly worn or scored. To remove the wear plate, remove the four nuts. Inspect the inspection cover O-rings and replace if necessary.



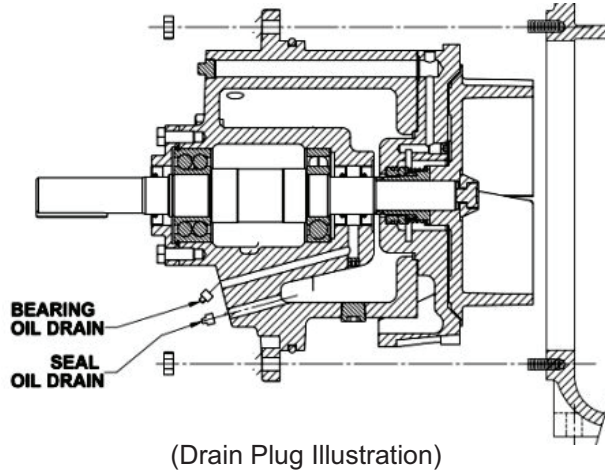
SUCTION CHECK VALVE

With the inspection cover removed, the check valve can be accessed without removing the suction piping. To service the check valve assembly, remove the check valve bolt, reach through the inspection cover opening and pull the complete assembly from the suction flange. Service the check valve as required.



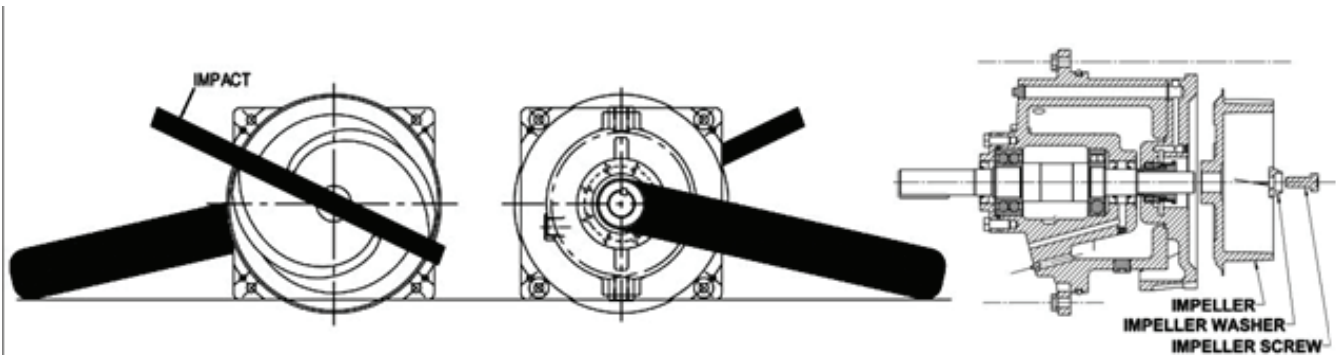
ROTATING ASSEMBLY

The power source must be removed prior to removing the rotating assembly. Drain the oil in the seal cavity by removing the seal cavity drain plug. Clean and replace the drain plug after draining seal cavity of oil. Remove the four nuts on the studs of the volute and use the two jack screws to remove the rotating assembly from the volute. Separate the rotating assembly by pulling straight away from the pump casing.



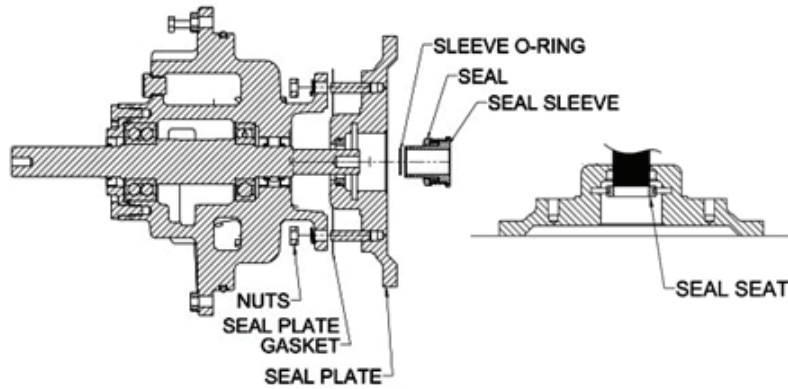
IMPELLER

With the rotating assembly removed from the pump casing, remove the impeller lock screw and unscrew the impeller from the shaft. The impeller was installed at the factory using Loctite® and so may be fairly difficult to unscrew. A propane torch can be used to ease loosening the screw if necessary. Use the impeller removal tool to fix the shaft from rotating, and use a metal bar or piece of wood to rotate the impeller counter-clockwise until it is free of the shaft. It may be necessary to pound the bar with a hammer to loosen the impeller. Inspect the impeller and replace as necessary. Use caution when removing the impeller.



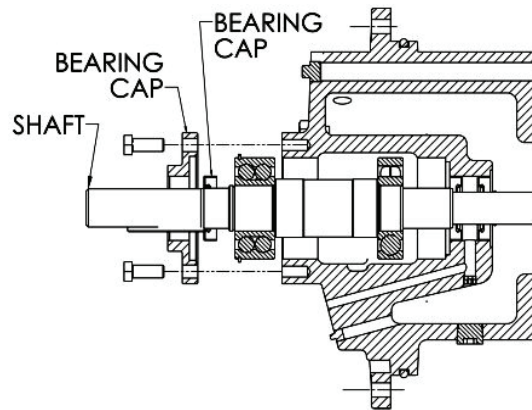
MECHANICAL SEAL

With the rotating assembly out of the volute and the impeller removed, slide the shaft sleeve and rotating portion of the seal off of the shaft as one unit. Drain the oil in the seal cavity by removing the seal cavity drain plug, located on the bearing housing's bottom front boss (see Drain Plug Illustration, [page 24](#)). Clean and replace the drain plug after draining seal cavity of oil. Remove the seal housing from the bearing frame, and place it, face down, on a flat surface. With a suitable tool, press on the backside of the stationary seat until it is removed from the seal housing.



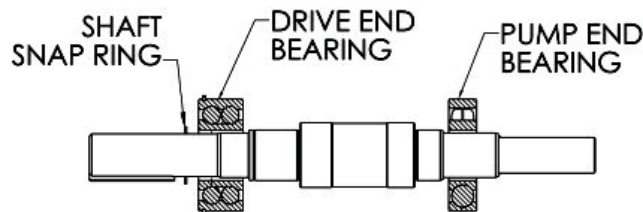
SHAFT AND BEARING

With the mechanical seal removed, remove the bearing housing drain plug located on the front bottom left of the bearing frame (see Drain Plug Illustration, [page 24](#)), and drain oil. Clean plug and reinstall in housing. Remove fasteners and slide the bearing cap/SAE bracket and grease seal off the shaft. Press the grease seal from the bearing cap/SAE bracket. Place a block of wood against the impeller end of the shaft and gently tap the shaft and bearings out of the housing.



BEARING REMOVAL

Remove the shaft snap ring. This will require the use of snap ring pliers. It will be necessary to use a puller or hydraulic press to remove the drive end bearings and pump end bearing from the shaft. If the bearings are to be reused, be certain that puller jaws bear only against the inside races (shaft side) of the bearings.



REASSEMBLY OF PUMP COMPONENTS

SHAFT AND BEARINGS

Clean the housing and components with an appropriate cleaning solvent and use compressed air to dry components. If bearings need replacement, remove the outboard (drive end) bearing retaining ring and use an appropriate bearing puller to remove bearings from shaft. Inspect shaft and replace if distorted, nicked, or scratched beyond repair.

If bearings are to be replaced, then the bearings may be heated to 250°F (121°C) for ease of installation. An induction heater, electric oven, or hot plate may be used to heat the bearings. Never use direct flame to heat bearings.

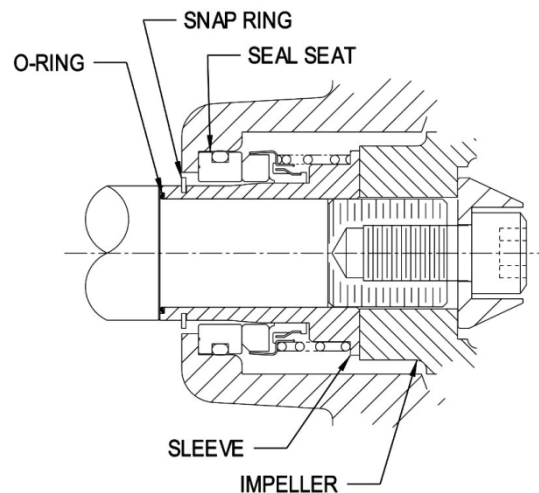
After heating the bearings, slide the bearings onto the appropriate shaft end. When installing the bearings onto the shaft, only press against the inner bearing race. The inboard bearing should be installed with the shielded side toward the impeller. The outboard bearing should have the integral retaining ring on the bearing outside diameter toward the drive end of the shaft.

After installation of bearing, ensure that bearings are tight against shaft shoulders. Secure the outboard bearing on the shaft with the bearing retaining ring. Slide the shaft and assembled bearings into the bearing housing until the retaining ring contacts the bearing housing.

SEAL INSTALLATION

A new seal assembly should be installed any time the old seal is removed. The wear pattern on the old seal can cause premature failure if reused. Thoroughly clean the shaft where the mechanical seal will be installed, and the seat of the seal housing. Place the sleeve O-ring over the shaft, past the threads and up against the shaft shoulder. Lubricate the stationary seat bore and stationary seat O-ring with P-80, 30 wt. motor oil, or liquid dish detergent and a little water. **DO NOT USE GREASE OR SILICONE LUBRICANTS.**

Remove the plastic, U-shaped seal-setting spacer from the cartridge seal assembly. Carefully slide the cartridge seal assembly over the shaft, with the stationary seat towards the bore. By hand only, carefully press on the flanged end of the cartridge seal sleeve until the stationary seat bottoms in the stationary seat bore. Install impeller according to instructions.

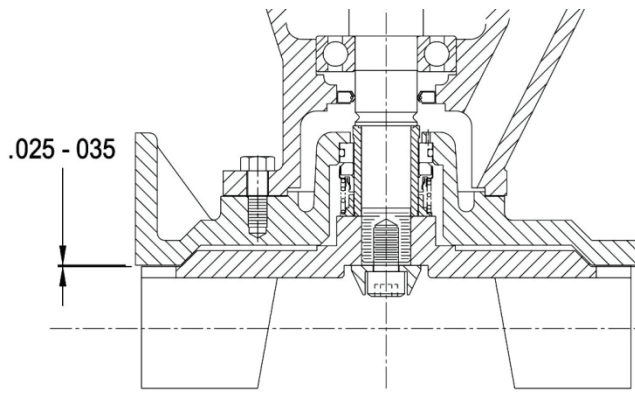


IMPELLER

The shaft and impeller threads must be completely clean before re-installing the impeller. Apply anti-seize compound to the external shaft threads. **Do not use anti-seize compounds on the lockscrew threads!** Screw the impeller onto the shaft until tight. A clearance of .025 to .035 in (.63 to .89 mm) between the impeller and the seal plate is recommended for optimum pump efficiency.

Measure this clearance between the impeller and the rotating assembly with the rotating assembly sitting on the impeller with the shaft oriented vertically. Add or remove impeller adjusting shims as required to achieve the correct clearance. Apply Loctite 2760®, or equivalent thread locking compound, to impeller screw and install impeller washer and screw.

Torque the impeller screw to a minimum of 175 ft-lb (237 Nm), maximum of 235 ft-lb (118 Nm). Do not allow the shaft to rotate while tightening the lockscrew.



INSPECTION COVER AND WEAR PLATE

Re-grease O-ring when installing and use 2760 Loctite® (red), or equivalent, on the wear plate studs. Installation is the reverse of removal.

ROTATING ASSEMBLY

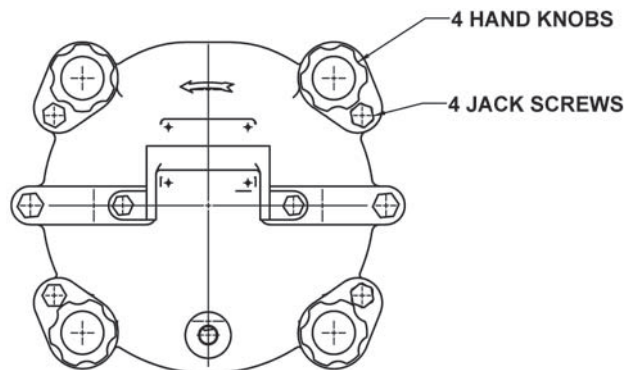
Re-grease O-ring and install rotating assembly into volute. Installation is the reverse of removal. Upon installation, the clearance between the suction cover and impeller needs to be verified. After sliding the rotating assembly back into the volute, evenly tighten rotating element bearing housing fasteners until impeller lightly contacts wear plate. **Note:** *The shaft will not rotate.* Tighten bearing housing jack screws until .010 to .020 in (.25 to .50 mm) increase in clearance is achieved.

The clearance can be determined by taking measurements of the gap between the pump casing and the bearing housing when the impeller is making contact with the wear plate, then re-measure the same gap until the above increase in clearance is achieved at each corner of the bearing housing.

Rotate shaft, making sure there isn't any impeller/wear plate contact or rubbing. Tighten the jack screws at each corner of the bearing housing (not too tight), then tighten the jack screw lock nuts to maintain setting position. Rotate shaft to verify the shaft is free to rotate without the impeller rubbing on the wear plate. If the impeller continues to rub on the wear plate, repeat adjustment procedure above until the shaft rotates freely.

INSPECTION COVER AND WEAR PLATE ADJUSTMENT

The wear plate clearance can be opened on the ES- series without removing the rotating assembly by loosening the four hand knobs and tightening the four jack screws. Then re-tighten the hand knobs. The adjustment distance can be measured by comparing the before and after gap between the adjustment flange and the volute casing.



PRESSURE RELIEF VALVE

The suction cover is equipped with a pressure relief valve to provide additional safety for the pump and operator. Make sure the relief valve is set to 80 psi (551 kPa).

⚠ DANGER

IT IS RECOMMENDED THAT THE PRESSURE RELIEF VALVE ASSEMBLY BE REPLACED AT EACH OVERHAUL, OR ANY TIME THE PUMP OVERHEATS AND ACTIVATES THE VALVE. PERIODICALLY, THE VALVE SHOULD BE REMOVED FOR INSPECTION AND CLEANING. FAILURE TO FOLLOW THESE INSTRUCTIONS COULD RESULT IN SERIOUS PERSONAL INJURY.

PUMP LUBRICATION

Proper lubrication is essential to maintain performance and to help ensure trouble free operation.

MECHANICAL SEAL ASSEMBLY

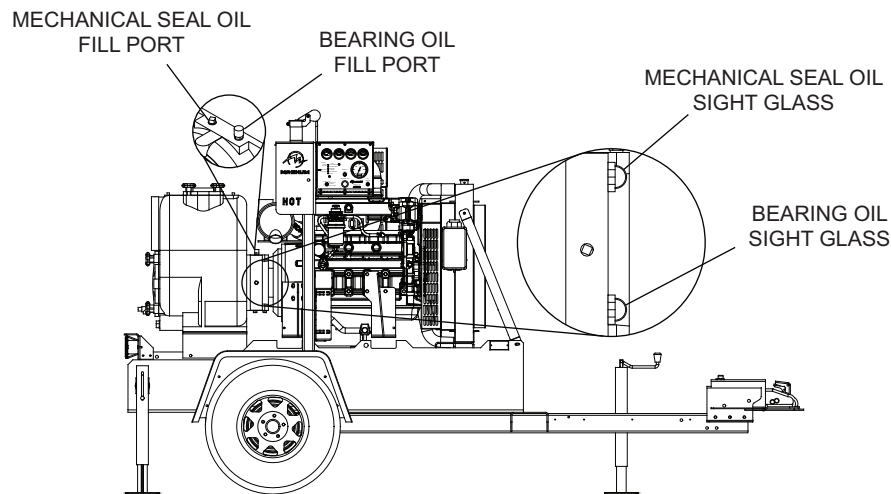
Prior to starting the pump, remove the seal vent plug and fill the seal cavity with approximately one quart (33 oz) of ISO VG 32 viscosity grade 32 turbine oil, so that the oil level is halfway in the level sight gauge.

BEARINGS

The bearing housing was lubricated at the factory and should be maintained at the middle of the sight gauge. Use an ISO viscosity grade 32 turbine oil and fill through the air vent hole at the top right of the bearing frame. Under normal use, drain and refill bearing housing at least once every 12 months.

⚠ CAUTION

Over-filling with oil can result in premature failure of bearings.



STORAGE

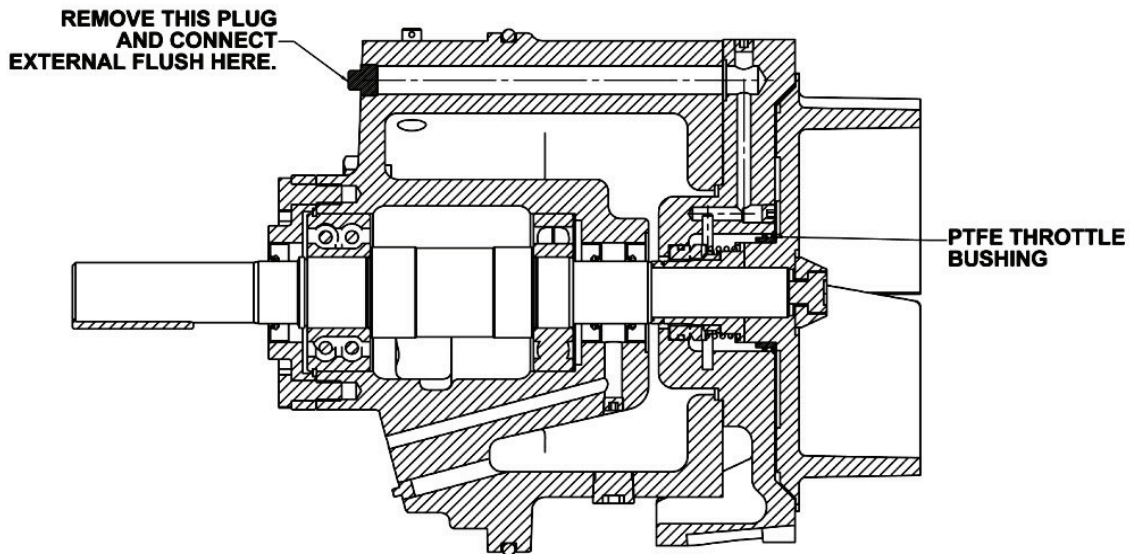
The unit is adequately prepared for outside storage prior to shipment. Use the following list of additional suggestions for extended storage.

1. Disconnect the battery cables.
2. Store the unit off the ground so no water will accumulate around the equipment.
3. Protect unit from blowing sand and dirt.
4. Stack no other items on top of pump/equipment.
5. Protect unit from the entry of any animals.
6. Periodically rotate shaft to lubricate bearings and protect bearings from brinelling.

7. Protect unit with approved drying agents.
8. Ensure all bare metal areas are coated with rust preventative.
9. Inspect unit every four weeks and replace drying agents (Silica Gel) as required, or a minimum of every six months.
10. Keep an inspection record showing dates of inspection with any maintenance performed and condition of drying agents.
11. Before use, ensure that all rust protection has been removed. Also, remove any foreign material that may have accumulated during storage.
12. Before use, remove all drying agents (Silica Gel).

PRODUCT FLUSH OPTION

With the throttle bushing installed, remove the .5 in. NPT pipe plug above the shaft at the drive end of the bearing housing. Connect a water source to the .5 in. NPT port that maintains no less than 50% of the discharge pressure. Water will flow through the seal housing into the pumpage to keep it from entering the seal housing.



PUMP TROUBLESHOOTING

An ongoing record of performance will assist in any troubleshooting and/or analysis of problems. A pressure gauge can be installed on the suction and discharge side of the pump to monitor any changes in differential pressure. Differential pressure is useful in monitoring and diagnosing any possible degradation in pump performance.

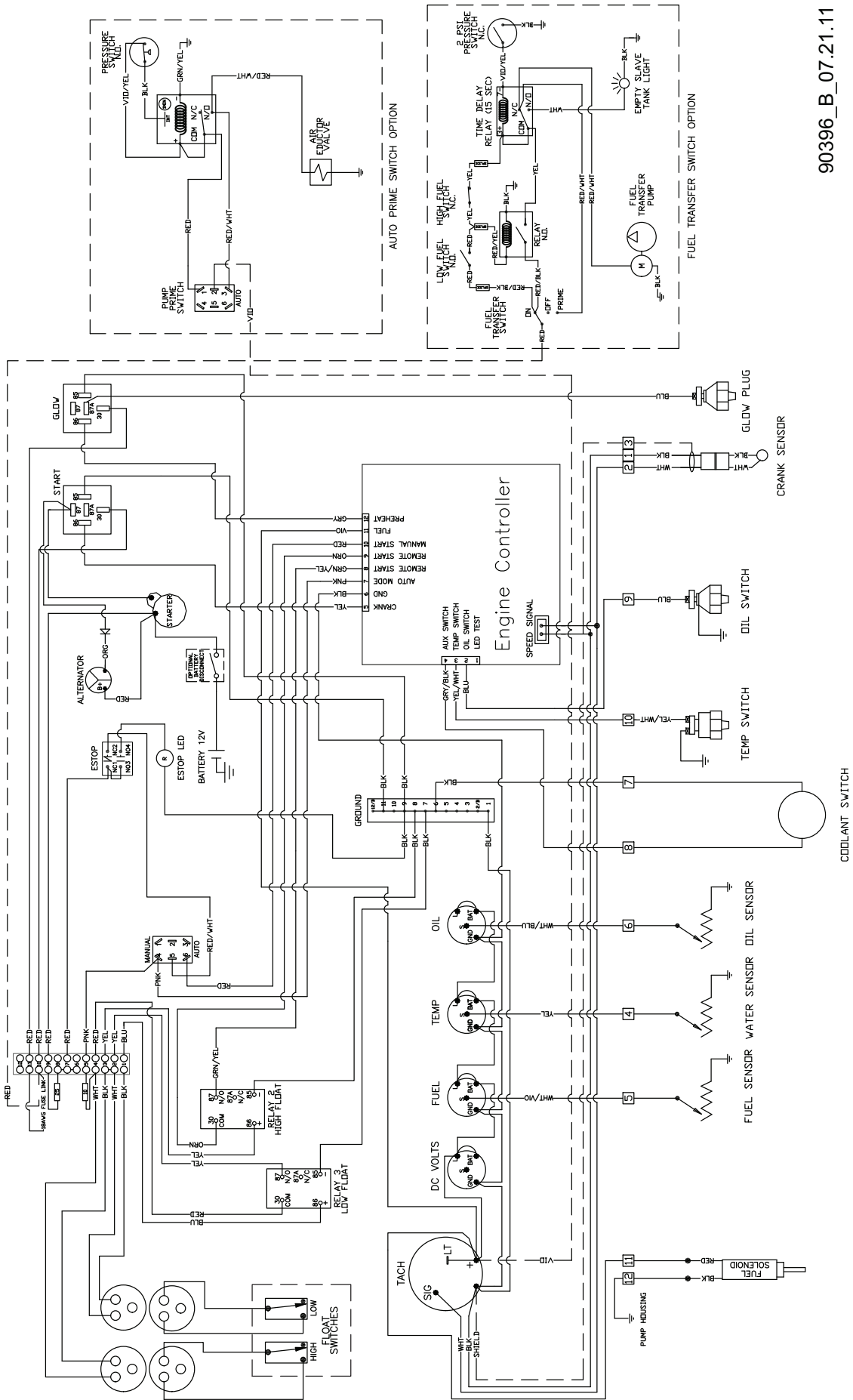
Symptom	Possible Cause
No discharge	1,2,3,4,5,7,8,9,10,17,18,19,20,37,49
Reduced capacity	2,3,4,5,7,8,9,10,11,17,19,20,21,38,39,40,47,49
Reduced pressure	5,7,8,11,13,18,19,38,39,40,47,49
Loss of prime	2,3,4,7,10,11,20,21,22,23,49
Power consumption excessive, engine runs hot	6,12,13,17,18,19,24,33,34,35,36,37,38,41,42,43,44
Pump fails prime	1,4,5,10,20,21,49,50,51
Vibration and noise	2,4,9,10,14,15,17,26,27,28,29,30,31,32,33,34,35,36,39,40,41,42,43,44,48,49
Seal: excessive leakage, short life, seal housing overheating	22,23,25,33,34,35,36,41,44,45,46
Bearings: overheating, short life, noise	26,27,28,29,30,31,32,33,34,35,36,41,42,43,44
Pump overheating, seizes	1,8,9,14,33,34,35,36,41,42,43,44
Corrosion, erosion, pitting, oxidation or other loss of material	7,8,11,14,15,16

- | | | |
|---|--|---|
| 1. Pump not primed | 16. Electrolysis | 34. Temperature growth |
| 2. Suction line not filled | 17. Impeller obstructed | 35. Misalignment |
| 3. Air pocket in suction line | 18. Wrong-rotation direction | 36. Coupling improperly installed |
| 4. Suction inlet or foot valve obstructed, insufficiently submerged, or too small | 19. Low speed | 37. Impeller installed backwards |
| 5. System head higher than pump design head | 20. Air leak into suction line | 38. Wear rings worn |
| 6. System head lower than pump design head | 21. Air leak through mechanical seal | 39. Impeller damage |
| 7. Insufficient NPSH | 22. Seal fluid contaminated, hot or insufficient | 40. Improper balance (after repair) |
| 8. Parallel pump application is incorrect | 23. Seal fluid system not vented | 41. Bent shaft |
| 9. Suction pressure to vapor pressure below minimum | 24. High speed | 42. Excessive thrust |
| 10. Suction lift too high | 25. Mechanical seal insufficient | 43. Rotational element dragging |
| 11. Excess vapor in pumpage | 26. Bearing housing excessively cooled | 44. Worn or incorrectly installed bearings |
| 12. Specific gravity of pumpage housing different than design | 27. Low oil pressure (oil lube bearings) | 45. Mechanical seal not properly set, O-rings damaged or hardened |
| 13. Viscosity of pumpage different than design | 28. Improper or poor lubrication | 46. Shaft scored at seal |
| 14. Operation at below rated capacity | 29. Lubrication defective | 47. Volute O-ring |
| 15. Cavitation | 30. Dirt in lubrication/bearings | 48. Foundation not rigid or settle |
| | 31. Moisture in lubricant/bearing housing | 49. Suction line collapsed |
| | 32. Lubricant excess | 50. Not enough liquid in casing |
| | 33. Pipe strain | 51. Suction check valve contaminated or damaged |

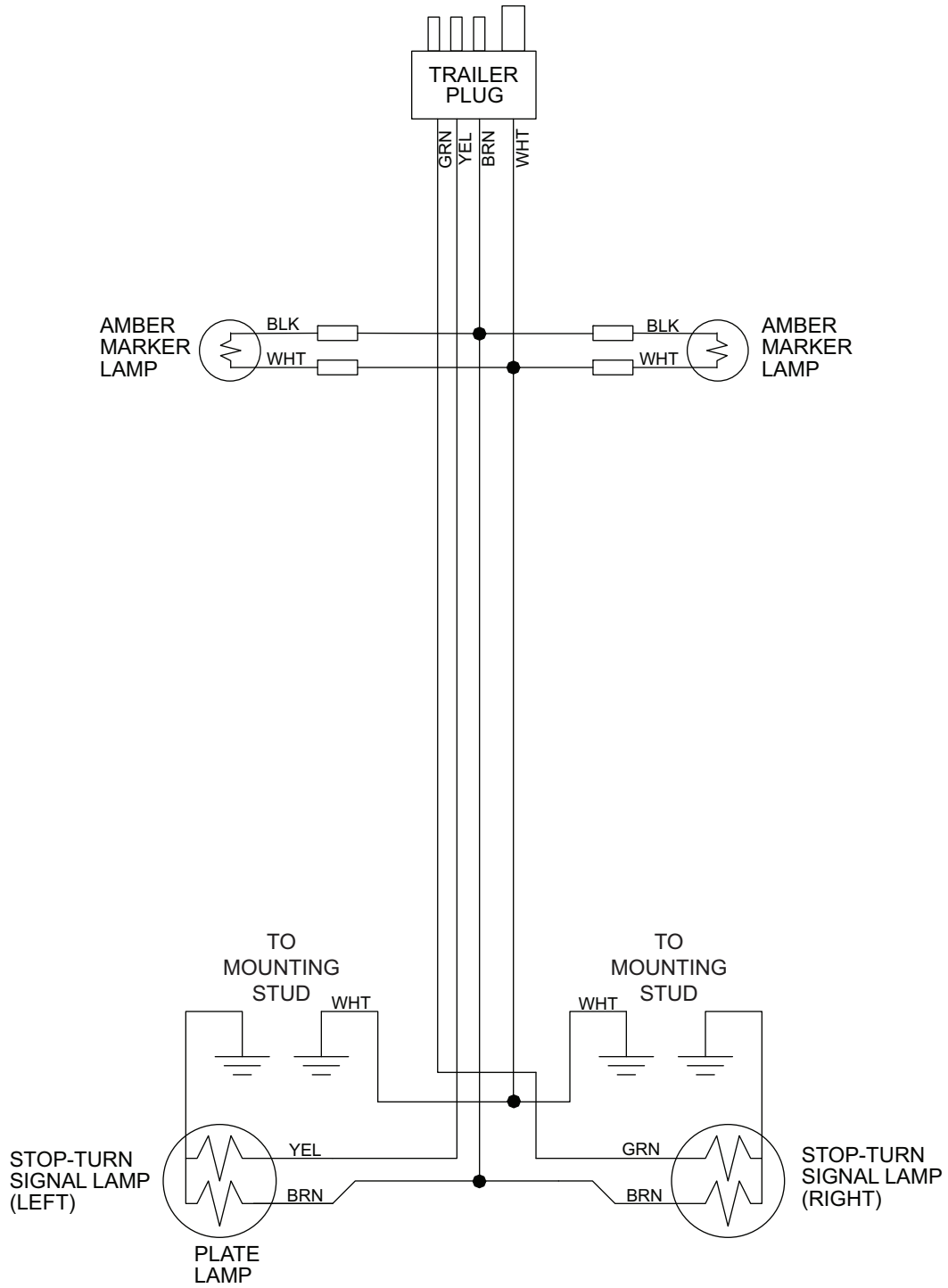
ENGINE FAULT SHUTDOWN TROUBLESHOOTING

Symptom	Possible Cause	Solution
Low oil pressure shutdown	Low oil level	Check oil level, replace as necessary
	Faulty oil pressure sender	Replace oil pressure sender
	Incorrect oil grade	Change engine oil, consult engine operating manual
	Worn oil pump	Consult engine operating manual
	Oil leak	Consult engine operating manual
High temperature shutdown	Low coolant level	Check coolant level, replace as necessary
	Faulty temperature sender	Replace temperature sender
	Coolant leaks	Consult engine operating manual, replace components as necessary
	Worn water pump	Consult engine operating manual
Overcrank shutdown	Pump engine will not start	Consult engine operating manual
Overspeed shutdown	Pump cavitation	Reduce engine speed, lower intake hose
	Air trapped in intake hose	Relocate and/or straighten intake hose
	Intake insufficiently submerged	Lower intake hose
	Air leak in intake hose	Inspect intake hoses and couplings for damage or missing components and seals
	Air leak at pump housing	Inspect gaskets, seals and O-rings at pump intake flange, cleanout cover and priming port
No speed signal shutdown	Engine magnetic pickup damaged or misaligned	Inspect magnetic pickup for damage/alignment
Low fuel shutdown	Low fuel level	Refill fuel tank with clean diesel fuel
Low coolant shutdown	Low coolant level	Allow engine to cool. Check coolant level in radiator. Add coolant until it is .5 in (19 mm) below the filler neck

DC WIRING DIAGRAM



TRAILER LIGHTS WIRING DIAGRAM



90228_ORG_05.09.12

REV: M
PART NO: 41207
02.05.13